

## J2 TECHNICAL ARTICLE

Number 66

From Octagon Heaven

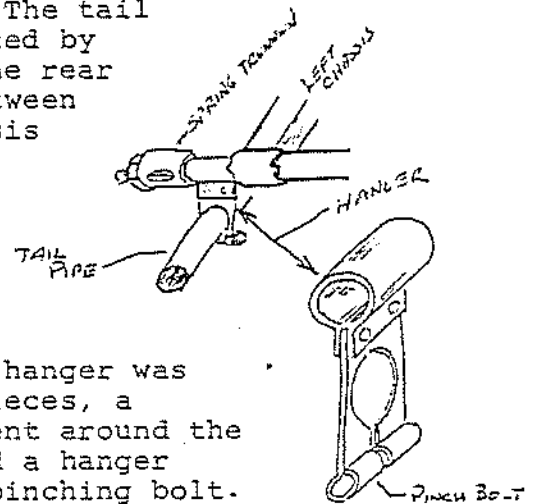
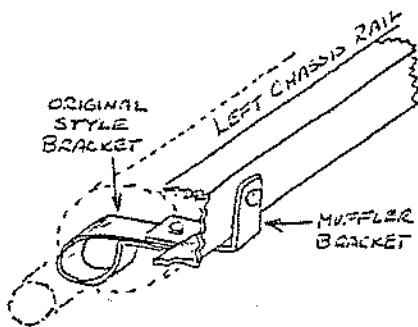
December 24, 1981

### EXHAUST SYSTEM AND BRACKETS

The exhaust system is made up of three pieces which are:

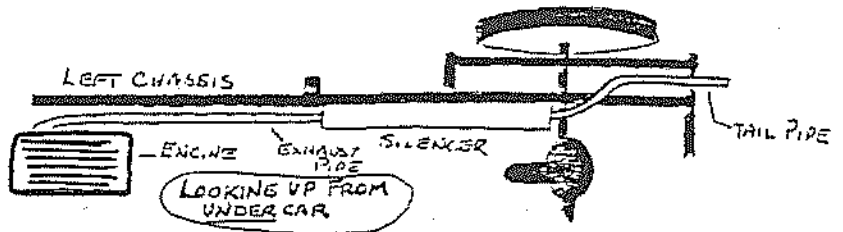
- the exhaust pipe - The silencer (muffler) - the tail pipe

The muffler is held in position just inside of the left chassis rail by two 'L' shaped brackets and two clamps. The tail pipe was supported by a hanger on the rear dumb-iron, between the left chassis rail and the rear spring trunnion.



The tail pipe hanger was made of two pieces, a clamp which went around the dumb-iron, and a hanger plate with a pinching bolt.

The Instructional manual has an excellent view of the total exhaust system on page 6, page 7, and page 8.



The silencer which is 3½" diameter and 30" long is positioned from just behind the front tub bracket to just in front of the rear axle.