

NOT SURE ABOUT THIS "RUSS"

SECURED WITH NUT & BOLT & SCREW CUP ?

LONG PEG

LIFT-A-DOT

24" REF ONLY

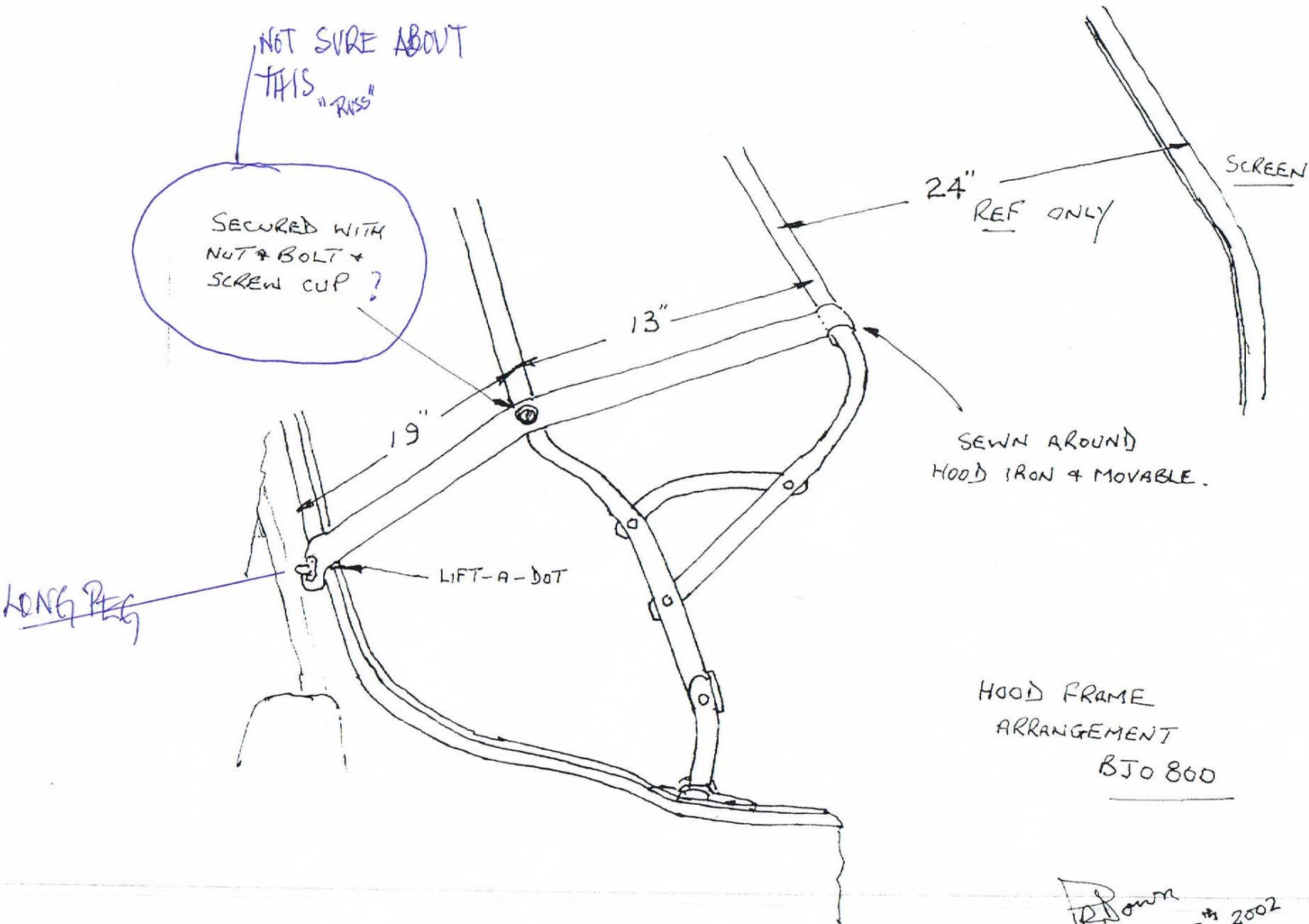
SCREEN

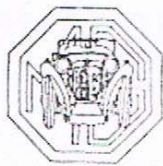
SEWN AROUND HOOD IRON & MOVABLE.

HOOD FRAME ARRANGEMENT BJO 860

MDown APRIL 10<sup>th</sup> 2002

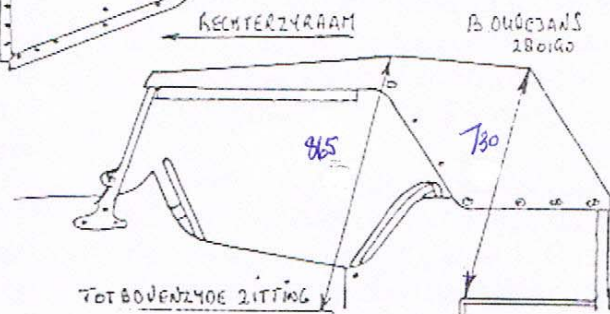
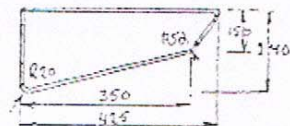
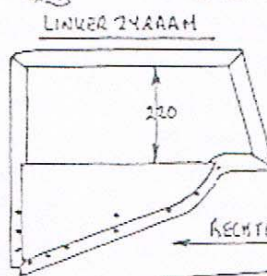
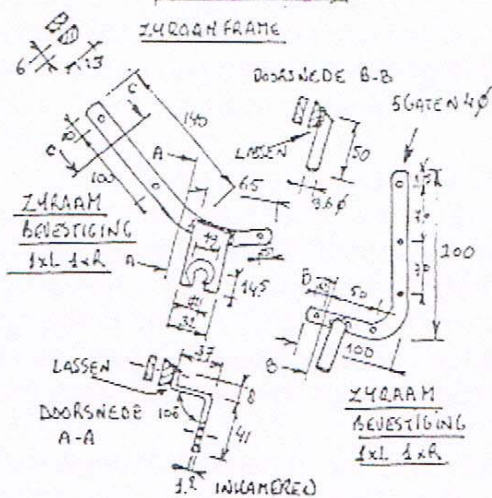
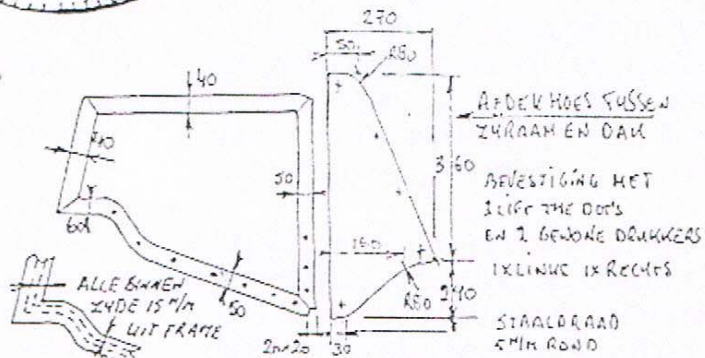
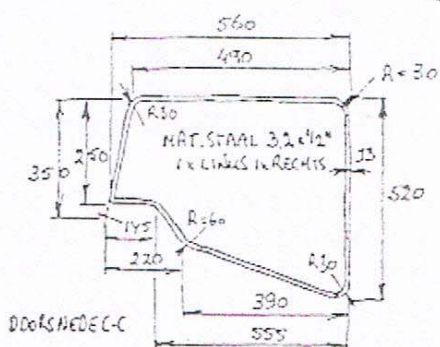
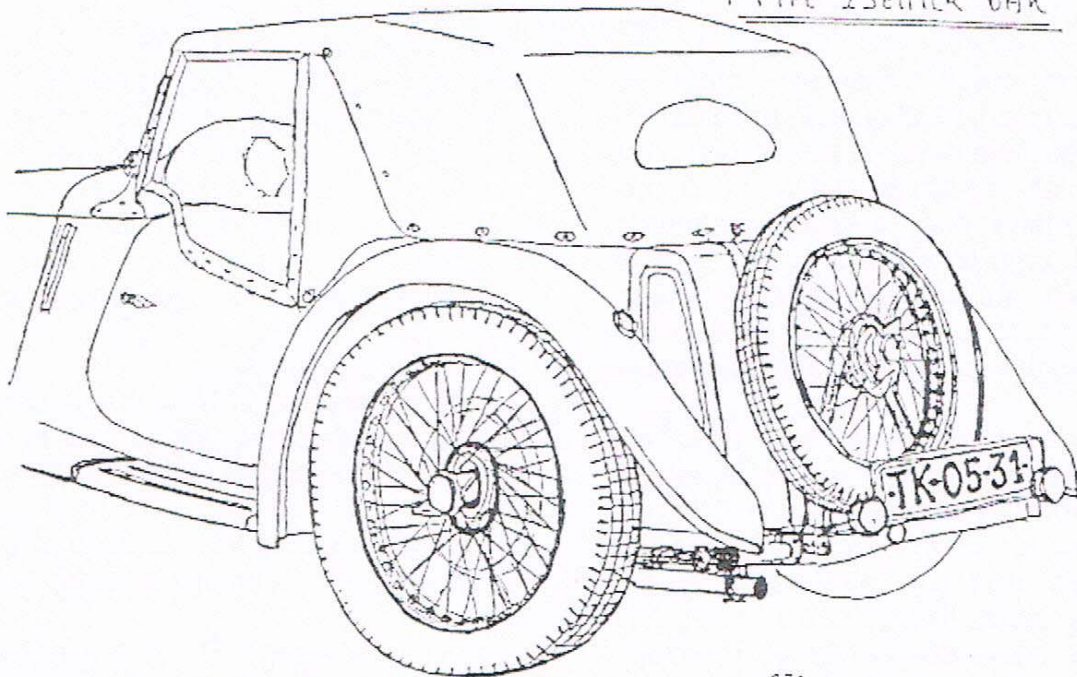
maxiandown@yahoo.com





# M.G. T-TYPE OWNERS HOLLAND

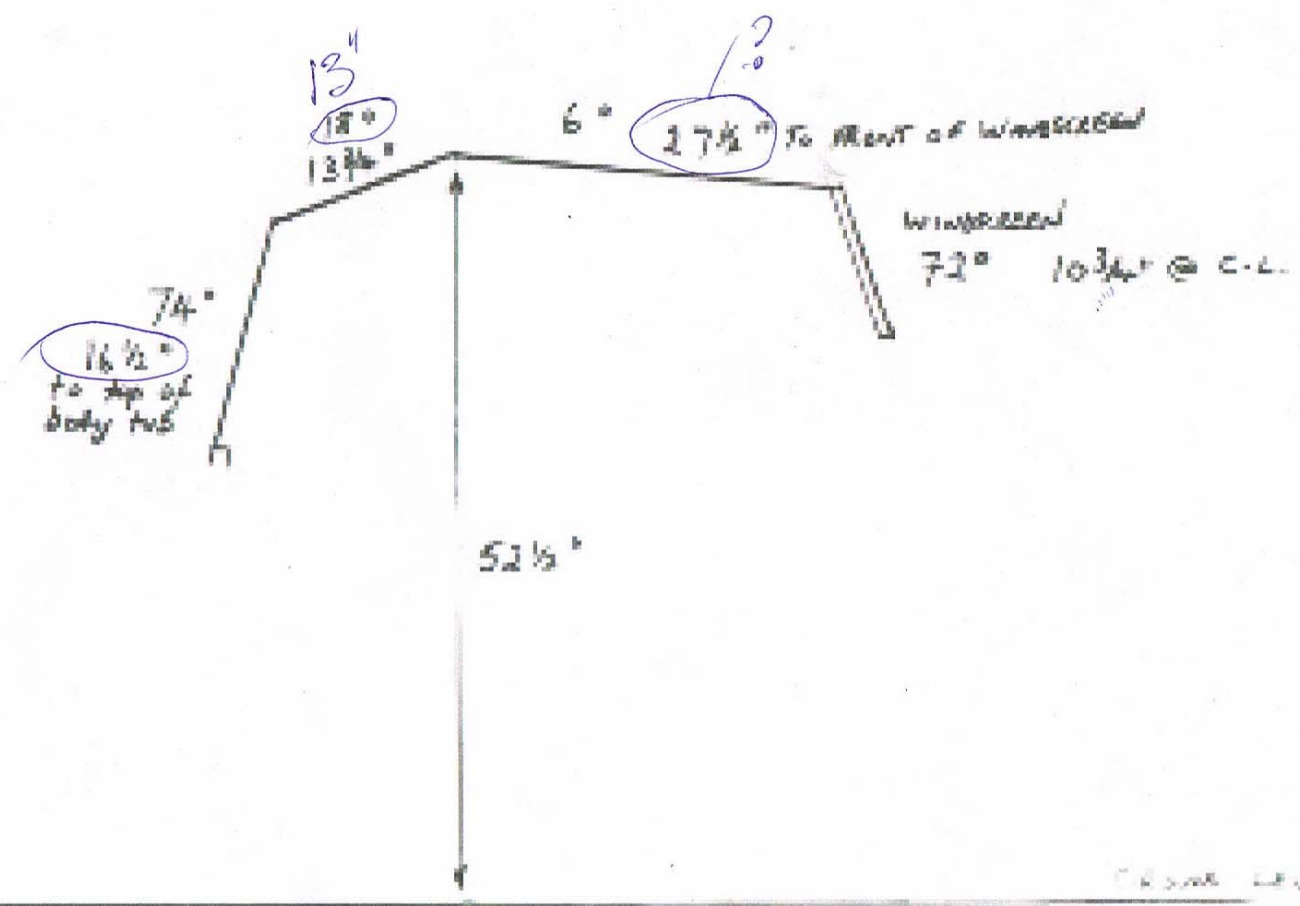
## P-TYPE 2SEATER DAK



Sketch showing  
 Position of  
 Hoop frame and  
 Dike assembly  
 11/2/74

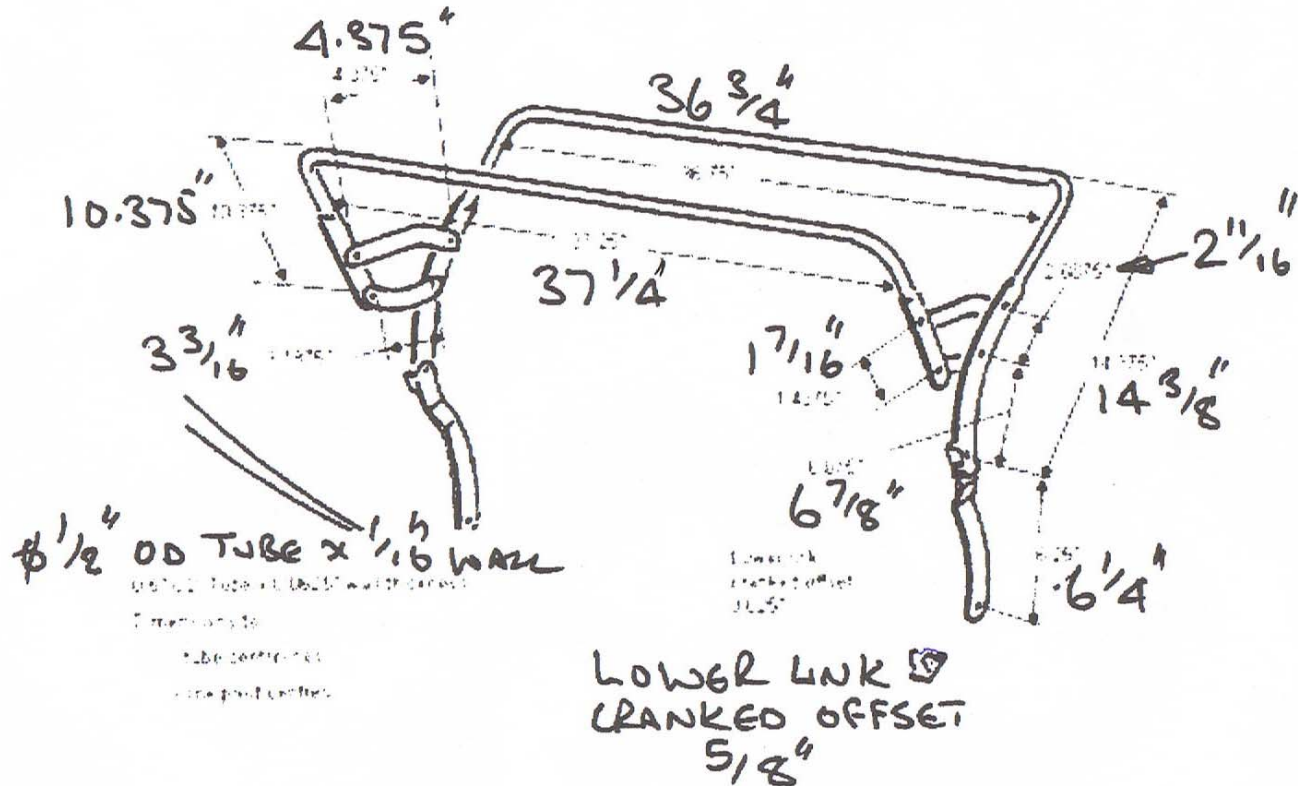
9-10-2007

NOT TO SCALE!  
BUT 10" = 1 cm APPROX



9-10-2007

MG PB Hood Frame



© BRONX BRONZE SUTHERLAND 02/01/2007

MG PB Hood Frame dimensions (approx).